




INTIMIDATOR



 **Read this entire manual. This safety alert symbol is used throughout this manual to call your attention to messages involving your personal safety and the safety of others. Failure to follow these instructions can result in injury or death.**

WARNING

Si no entiende ingles, se prefiere que busque a alguien que interprete las instrucciones para usted.

Owner: _____
Date Purchased: _____
Model #: _____ Serial #: _____
Manual #: <u>9MINTIMIDATOR2458722</u>

Operator's Manual

Danuser LLC
500 E. 3rd St.
P.O. Box 368
Fulton, MO 65251
Tel: (573) 642-2246 Fax: (573) 642-2240
E-mail: sales@danuser.com
Website: www.danuser.com



Dear Owner/Operator,

Thank you for purchasing this Danuser Intimidator. We appreciate your business.

With a 34" jaw opening, the Intimidator is designed to pull fence posts and uproot trees. With the saw tooth jaws closed, it can cut roots, remove stumps, and dig out rocks.

Your safety as an operator of our product is very important to us. Therefore, *before* you assemble, install, operate, maintain, service, remove, or move your Danuser Intimidator, read and understand this manual thoroughly. If there is anything you do not understand, immediately contact your dealer, or contact our factory direct.

Phone:	(573) 642-2246
Fax:	(573) 642-2240
E-mail:	sales@danuser.com

Your satisfaction in the performance and longevity of our product is also very important to us and can be prolonged by proper assembly, installation, operation, and maintenance as instructed in this manual.

Thank you again for your business and for your trust in our product. Please feel free to contact us at any time for further assistance.

Sincerely,

Danuser LLC
500 E. 3rd St.
P.O. Box 368
Fulton, MO 65251

Tel: (573) 642-2246 Fax: (573) 642-2240
E-mail: sales@danuser.com Website: www.danuser.com

Danuser provides this manual "as is" without warranty of any kind, either expressed or implied. Danuser assumes no responsibility for errors or omissions. Danuser assumes no liability for damages resulting from the use of the information contained herein. Danuser reserves the right to revise and improve its products as it sees fit. This manual describes the state of this product at the time of its publication and may not reflect the product in the future.

Danuser is a registered trademark.

Foreword


Please read this manual thoroughly!

Before you assemble, install, operate, maintain, service, remove, or move your Danuser Intimidator, read this manual thoroughly. If there is anything you do not understand, immediately contact your dealer, or call our factory direct at (573) 642-2246. Powered equipment can be dangerous if not assembled, installed, operated, maintained, serviced, removed, or moved properly.

Warranty Registration

To activate your warranty coverage and to provide you with efficient customer service, please fill out your WARRANTY REGISTRATION FORM. This form is included in your unit's paperwork package. If you did not complete a WARRANTY REGISTRATION FORM or did not receive one, please call Danuser LLC. Or, register online at www.Danuser.com. Your satisfaction with our product and your safety as a user of our product are both very important to us.

Symbols

 This SAFETY ALERT symbol identifies important safety messages. Carefully read each safety message that follows. Failure to understand and obey a safety message, or recognize a safety hazard, could result in injury or death to you or others around you. The operator is ultimately responsible for the safety of himself, as well as others, in the operating area of the Intimidator.





<i>Symbol</i>	<i>Meaning</i>
	Indicates an imminently hazardous situation which, if not avoided, will result in death or serious injury.
	Indicates a potentially hazardous situation which, if not avoided, could result in death or serious injury, including hazards that are exposed when guards are removed.
	Indicates a potentially hazardous situation which, if not avoided, may result in minor or moderate injury. It may also be used to alert against unsafe practices.
	This is important information for proper use of this equipment. Failure to comply may lead to premature equipment failure.

Table of Contents

	Page
Letter to the Owner/Operator	2
Foreword	3
Symbols	3
Safety	4
Decals & Safety Signs	7
Specifications	11
Hydraulic Requirements	12
Assembly & Installation	13
Operation	15
Removal & Storage	16
Troubleshooting	17
Maintenance & Lubrication	18
Torque Values Chart	19
Parts	22
Accessories	23
Warranty	Form No. 3373

WARNING

Working with unfamiliar equipment can lead to careless injuries. Read and understand this manual and the manual for your vehicle before assembling, installing, operating, maintaining, servicing, removing, or moving this Danuser Intimidator. If there is anything in this manual you do not understand, contact your dealer or Danuser LLC. The safe use of this attachment is strictly up to you, the operator. If this attachment is used, loaned, or rented by any other person, it is the owner's responsibility to make certain that the operator prior to operating:

- Reads and understands the Operator's Manuals
 - Is instructed in safe and proper use
- The Intimidator is designed to be operated from the vehicle seat. Do not operate with another person near or in contact with any part of the Intimidator. Keep others 100 ft (30.5 m) or more away from the Intimidator.
 - All operators of this attachment must read and understand this entire manual, paying particular attention to safety messages and operation instructions, prior to assembling, installing, operating, maintaining, servicing, removing, or moving the Intimidator.
 - Please remember it is also important that you read, understand, and follow the safety signs on the attachment. Clean or replace all safety signs if they cannot be clearly read and understood. They are there for your safety as well as the safety of others. Danuser LLC will furnish new safety signs upon request at no charge.
 - All things with moving parts are potentially hazardous. There is no substitute for a cautious, safe-minded operator who recognizes potential hazards and follows reasonable safety practices.
 - Personal protection equipment including hard hat, safety glasses, safety shoes, gloves, and ear plugs are recommended during assembly, installation, operation, maintenance, service, removal, or movement of the attachment.
 - Never check pressurized system for leaks with your bare hand. Wear proper hand and eye protection and use wood or cardboard when searching for suspected leaks. Oil escaping from pinhole leaks under pressure can penetrate skin and create a serious medical emergency. If any fluid is injected into the skin, gangrene, blood poisoning, even death may result. Obtain medical attention immediately.
 - Always use two people to handle heavy, unwieldy components during assembly, installation, maintenance, service, removal, or movement of the attachment.
 - Never place any part of your body where it would be in danger if movement should occur during assembly, installation, operation, maintenance, service, removal, or movement of the Intimidator.
 - Only properly trained people should operate this equipment. Do not allow anyone who has not read this entire manual and understood the safety rules, safety signs, and operation instructions to use this attachment.
 - Never allow children to operate or be around the Intimidator.
 - Do not use the Intimidator as a work platform.
 - Do not allow riders on the equipment at any time. There is no safe place for any riders.
 - Never use alcoholic beverages or drugs which can hinder alertness or coordination while operating this equipment. Consult your doctor about operating this equipment while taking prescription or over-the-counter medications.
 - Safe operation of equipment requires the operator's full attention. Avoid distractions such as radio headphones, cell phones, etc. while operating.

Safety

(continued)

- Contact with underground gas lines or electrical cables may result in serious injury or death from explosion or electrical shock. Before operating, call 811 or the local number to locate underground utilities.
- Do not dig near underground utility lines.
- Stay away from power lines when transporting, raising, or operating the attachment. Electrocutation can occur without direct contact.
- The Intimidator must be securely latched to the vehicle. Ensure both locking handles are in the locked position with pins fully seated. An improperly latched Intimidator can fall without warning.
- Before you operate the attachment, check over pins and connections to be sure all are securely in place.
- Make sure all guards are in place and secure before operating equipment.
- Keep hands, feet, hair, jewelry, and clothing away from all moving parts.
- Never place yourself between the vehicle and the attachment.
- Never allow anyone under the attachment at any time.
- Never place any part of your body between the jaws of the attachment. Such moving parts can crush or sever, resulting in serious injury or death.
- Operate the attachment only with a vehicle equipped with a Roll-Over Protective Structure (ROPS). The vehicle must be equipped with an operator enclosure that will provide a safe operating area.
- Do not exceed the vehicle's rated operating load. Use sufficient counterweights. Move the vehicle slowly when the attachment is raised.
- Be aware of tree limbs and other debris entering the operating area of the vehicle.
- Reduce pulling force once the item starts to loosen from the ground. Large items that require high pulling force can cause the vehicle to become unstable if the item suddenly breaks loose or the jaws slip.
- Be sure the load does not stick out too far. A light load sticking out too far can have the same tipping effect as a heavy load carried in close.
- Carry the load low. A heavy load can cause instability of the vehicle. Use extreme care during travel. Slow down on turns and watch out for bumps. Use all safety devices, including a seat belt, as recommended in the vehicle operator's manual.
- For operator safety, always keep the load in front of the vehicle. Load should never be tilted toward or positioned over the operator.
- Objects grasped in the Intimidator can shift or fall, causing serious injury or death. Keep others 100 ft (30.5 m) or more away from the Intimidator.
- Be aware of a falling tree or limb hazard. A tree that has lost part of its root structure or limbs can fall at any time.
- Do not operate the Intimidator on steep hillsides. When operating the Intimidator on uneven or hilly terrain, position the vehicle with the attachment uphill. With the attachment downhill, the vehicle could tip when attempting to raise the Intimidator. Consult your vehicle operator's manual for maximum incline allowable.

Safety

(continued)

- Always shut off the vehicle engine, remove the key, lower vehicle arms, and relieve all hydraulic pressure before dismounting the vehicle. Never leave equipment unattended with the vehicle running.
- Never attempt adjustments, service, or repairs while the equipment is in operation.
- Never work under equipment supported by hydraulics. Even with the vehicle shut off, equipment can suddenly drop if controls are actuated or if hydraulic lines burst.
- Before disconnecting hydraulic lines or fittings, be sure to relieve all pressure by cycling all hydraulic controls after shutdown. Remember hydraulic systems are under pressure whenever the engine is running and may hold pressure after shutdown.
- Store the attachment on a flat, level surface in an area where children do not play. Securely block and support the attachment.
- Do not modify the attachment. Modifications may weaken the integrity of the attachment and may impair the safety, function, life, and performance of the Intimidator.
- When making repairs or servicing the Intimidator, use only parts that meet original equipment manufacturer's standards and requirements.
- Always use care when operating the Intimidator. Most accidents occur because of neglect or carelessness.

Safety is a primary concern in the design, manufacture, sale, and use of the Intimidator. Danuser confirms to you, our customer, our concern for safety.

DANGER

Improper operation of this Intimidator can cause serious personal injury or death. Operation of this attachment should only be done by a competent adult acting in compliance with the Operator's Manual. Since Intimidator operations are beyond our control, we disclaim all liability for any damages, injuries, or death which may result.

WARNING

This product can expose you to chemicals known to the State of California to cause cancer and birth defects or other reproductive harm. For more information go to www.P65Warnings.ca.gov/product.

Decals & Safety Signs

Skid-Steer

The Intimidator comes equipped with all safety signs in place. Their locations are shown in this section. Read and follow their instructions and ensure their care:

- Keep safety signs clean and legible at all times.
- Replace safety signs that are missing, illegible, or damaged.
- Ensure replacement parts installed during repair have safety signs attached.

To install new safety signs, follow these steps:

1. Clean the area where the safety sign is to be placed.
2. Spray a little soapy water on the surface where the safety sign is to be placed.
3. Peel the backing from the safety sign, and apply it in the position shown.
4. Firmly press the safety sign, and squeeze out the air bubbles with a straight edge (e.g., a credit card).



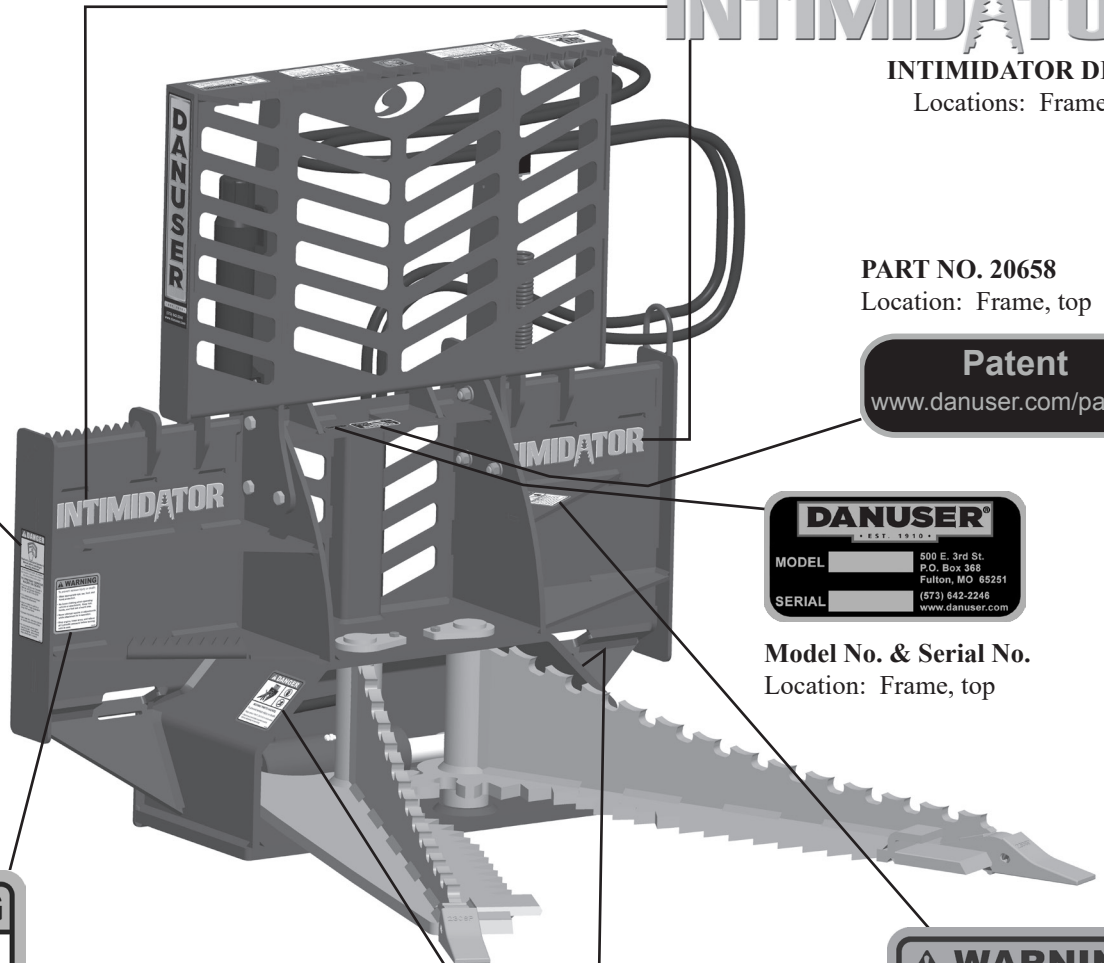
PART NO. DIG13
Location: Frame, right side



PART NO. DIG36
Location: Frame, front



Clean or replace all safety signs if they cannot be clearly read and understood.



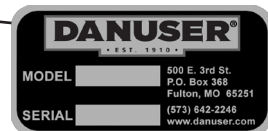
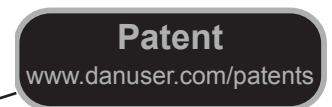
INTIMIDATOR

INTIMIDATOR DECAL

Locations: Frame, front

PART NO. 20658

Location: Frame, top



Model No. & Serial No.

Location: Frame, top



PART NO. DIG39
Locations: Frame, lower left side;
Frame, lower right side



PART NO. DIG5
Location: Frame, front

Decals & Safety Signs

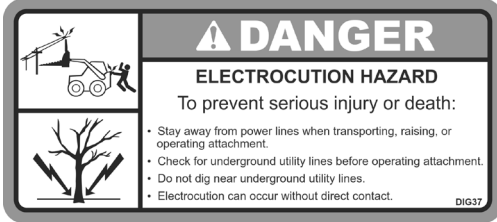
(continued)



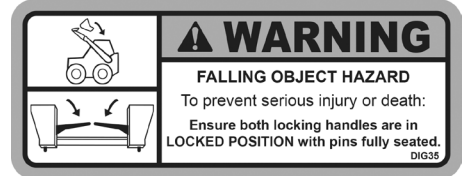
PART NO. 9875
Location: Brush guard, top



PART NO. DIG38
Location: Brush guard, top



PART NO. DIG37
Location: Brush guard, top



PART NO. DIG35
Location: Brush guard, top



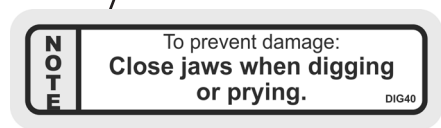
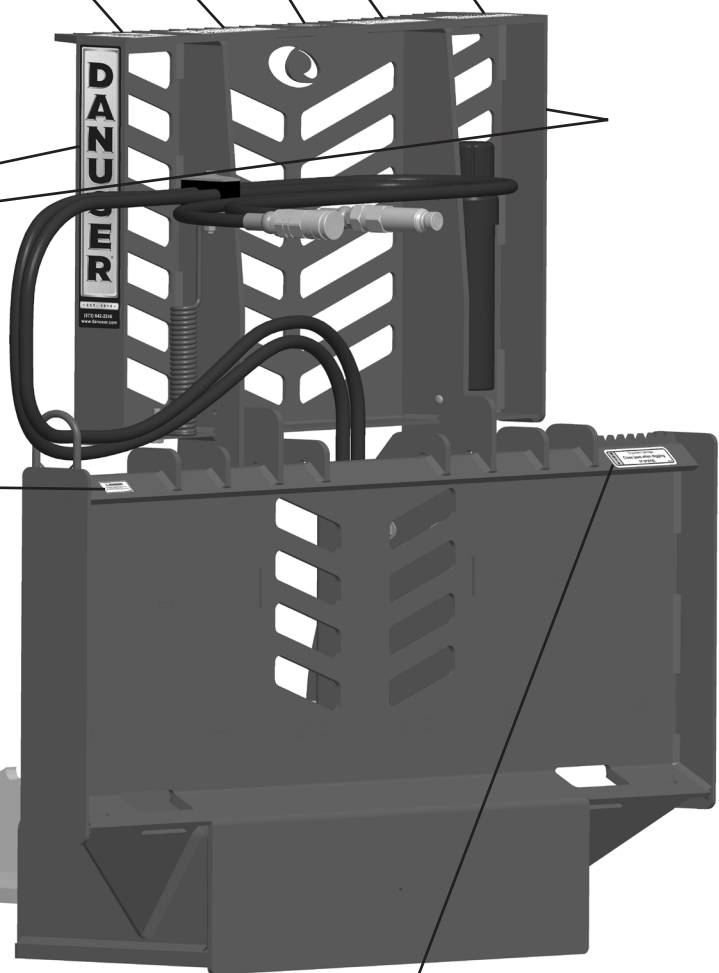
**Know what's below.
Call before you dig.**
PART NO. 20673
Location: Brush guard, top



PART NO. CA65
Location: Frame, rear



PART NO. DANUSER104
Locations: Brush guard, left side;
Brush guard, right side



PART NO. DIG40
Location: Frame, rear

WARNING

Clean or replace all safety signs if they cannot be clearly read and understood.

Decals & Safety Signs

Euro/Global

The Intimidator comes equipped with all safety signs in place. Their locations are shown in this section. Read and follow their instructions and ensure their care:

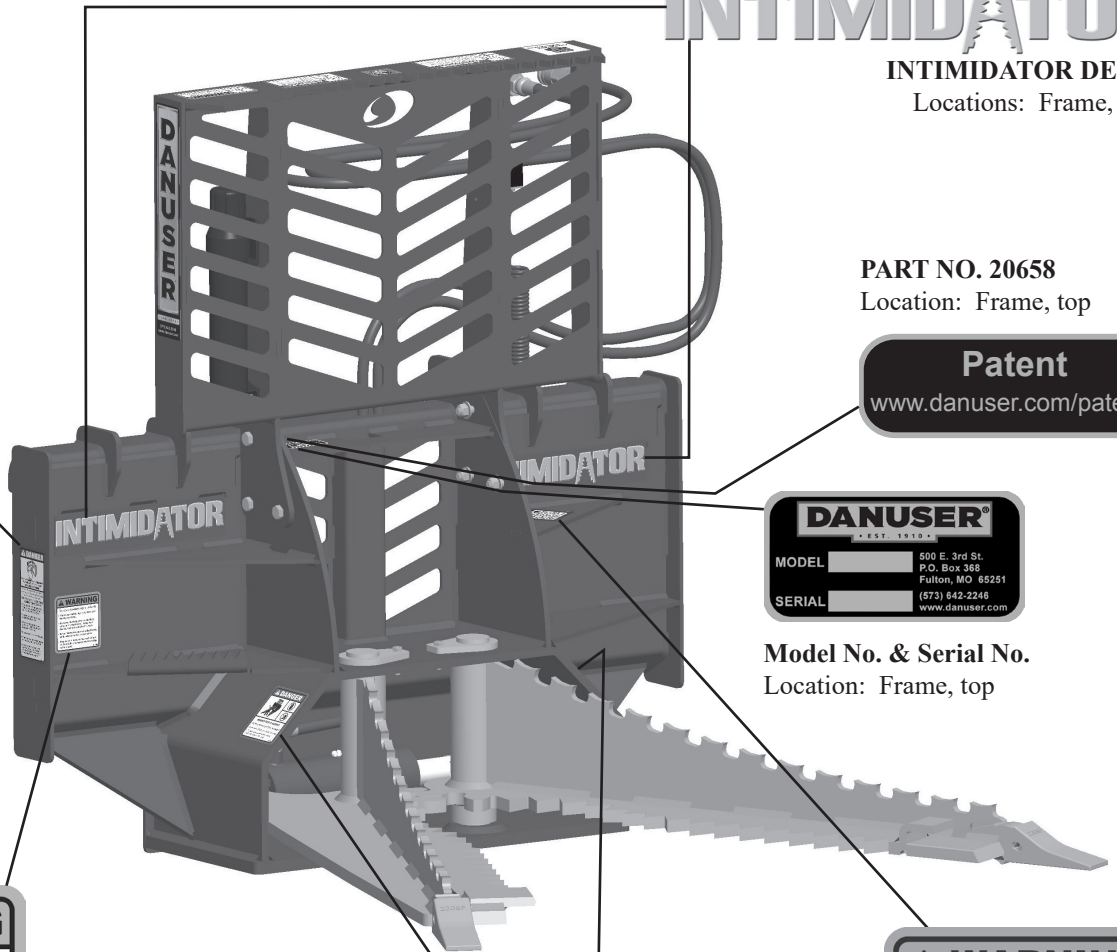
- Keep safety signs clean and legible at all times.
- Replace safety signs that are missing, illegible, or damaged.
- Ensure replacement parts installed during repair have safety signs attached.

To install new safety signs, follow these steps:

1. Clean the area where the safety sign is to be placed.
2. Spray a little soapy water on the surface where the safety sign is to be placed.
3. Peel the backing from the safety sign, and apply it in the position shown.
4. Firmly press the safety sign, and squeeze out the air bubbles with a straight edge (e.g., a credit card).



PART NO. DIG13
Location: Frame, right side

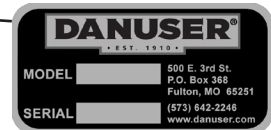
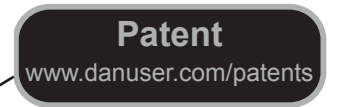


INTIMIDATOR

INTIMIDATOR DECAL

Locations: Frame, front

PART NO. 20658
Location: Frame, top



Model No. & Serial No.
Location: Frame, top



PART NO. DIG36
Location: Frame, front



PART NO. DIG5
Location: Frame, front



PART NO. DIG39
Locations: Frame, lower left side;
Frame, lower right side



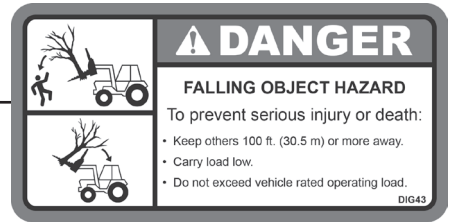
Clean or replace all safety signs if they cannot be clearly read and understood.

Decals & Safety Signs

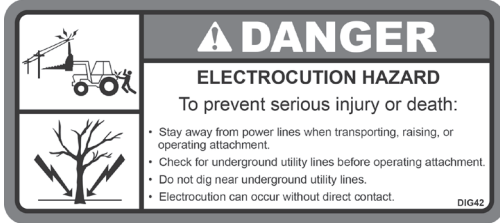
(continued)



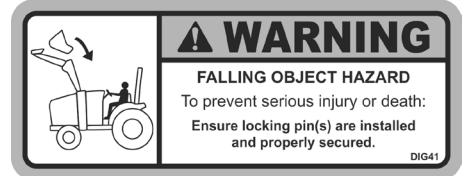
PART NO. 9875
Location: Brush guard, top



PART NO. DIG43
Location: Brush guard, top



PART NO. DIG42
Location: Brush guard, top



PART NO. DIG41
Location: Brush guard, top

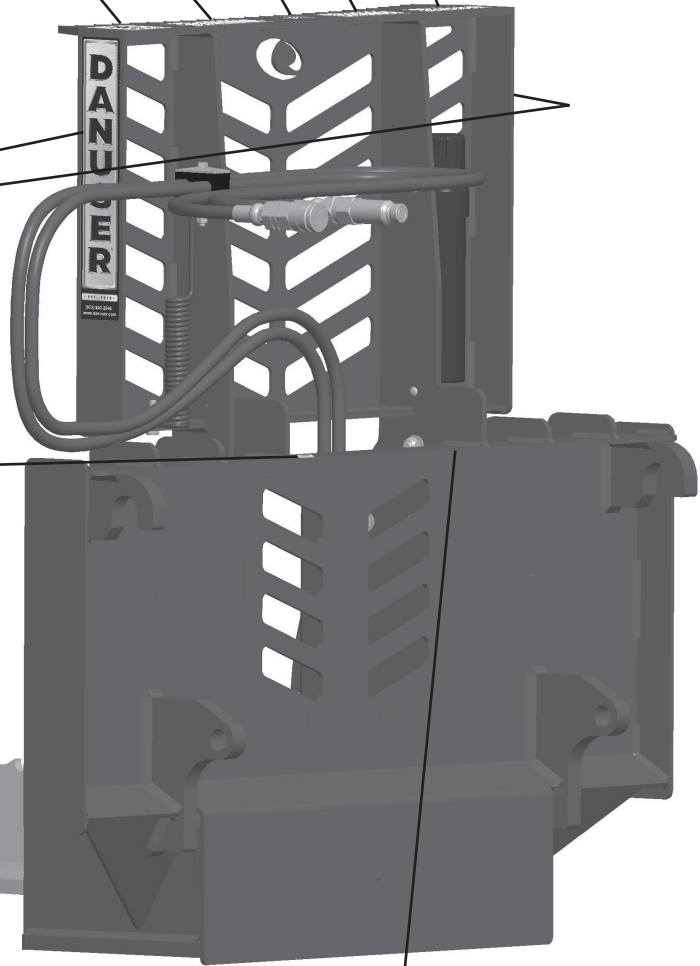


**Know what's below.
Call before you dig.**
PART NO. 20673
Location: Brush guard, top

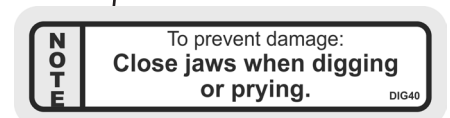


PART NO. DANUSER104
Locations: Brush guard, left side;
Brush guard, right side

PART NO. CA65
Location: Frame, rear



PART NO. DIG40
Location: Frame, rear



WARNING

Clean or replace all safety signs if they cannot be clearly read and understood.

Decals & Safety Signs

Flat Back

The Intimidator comes equipped with all safety signs in place. Their locations are shown in this section. Read and follow their instructions and ensure their care:

- Keep safety signs clean and legible at all times.
- Replace safety signs that are missing, illegible, or damaged.
- Ensure replacement parts installed during repair have safety signs attached.

To install new safety signs, follow these steps:

1. Clean the area where the safety sign is to be placed.
2. Spray a little soapy water on the surface where the safety sign is to be placed.
3. Peel the backing from the safety sign, and apply it in the position shown.
4. Firmly press the safety sign, and squeeze out the air bubbles with a straight edge (e.g., a credit card).

⚠ DANGER



Read and understand Operator's Manual before operating or servicing attachment.

Si no entiende inglés, se prefiere que busque a alguien que interprete las instrucciones para usted.

TO PREVENT SERIOUS INJURY OR DEATH:

- If you do not have an Operator's Manual, call Danuser LLC at (573) 642-2246.
- Only trained personnel should operate this attachment.
- Allow no riders on vehicle or attachment. Keep bystanders away from work area.
- Operate only from the vehicle seat.
- Carry load low. Use extra caution on uneven ground and inclines.
- Do not exceed vehicle rated operating load. Use sufficient counterweights. Move slowly when attachment is raised. DIG13

PART NO. DIG13
Location: Frame, right side

⚠ WARNING

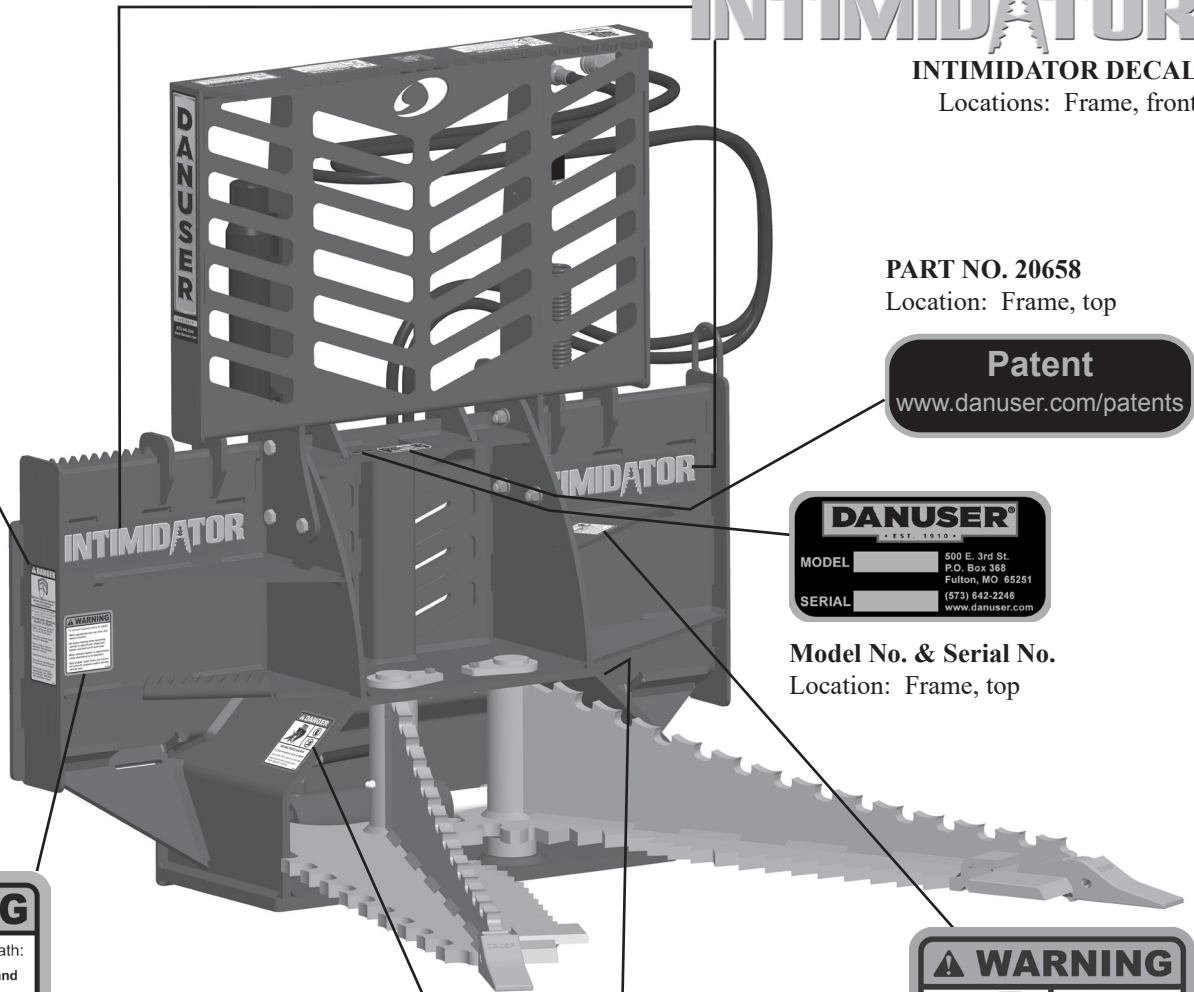
To prevent serious injury or death:

- Wear appropriate eye, ear, foot, and hand protection.
- No loose clothing when operating vehicle or attachment. Keep hair, hands, and feet out of work area.
- Never attempt repairs or adjustments while attachment is in operation.
- Stop engine, lower arms, and relieve all hydraulic pressure before leaving vehicle seat. DIG36

PART NO. DIG36
Location: Frame, front

⚠ WARNING

Clean or replace all safety signs if they cannot be clearly read and understood.



INTIMIDATOR

INTIMIDATOR DECAL

Locations: Frame, front

PART NO. 20658
Location: Frame, top

Patent
www.danuser.com/patents

DANUSER
EST. 1970

MODEL: _____ 589 E. 3rd St.
P.O. Box 365
Fulton, MO 65251

SERIAL: _____ (573) 642-2246
www.danuser.com

Model No. & Serial No.
Location: Frame, top

⚠ DANGER




MOVING PARTS HAZARD

To prevent serious injury or death:

- Keep others 100 ft. (30.5 m) or more away.
- Disconnect and lockout power source before adjusting or servicing. DIG39

PART NO. DIG39
Locations: Frame, lower left side;
Frame, lower right side

⚠ WARNING




HIGH-PRESSURE FLUID HAZARD

To prevent serious injury or death:

- Relieve pressure on system before repairing, adjusting, or disconnecting.
- Wear proper hand and eye protection when searching for leaks. Use wood or cardboard instead of hands.
- Keep all components in good repair. DIG5

PART NO. DIG5
Location: Frame, front

Decals & Safety Signs

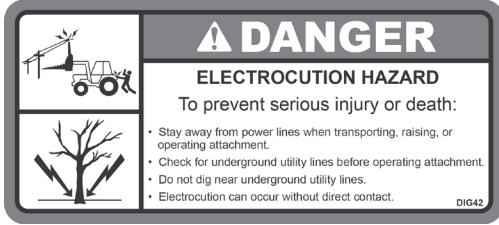
(continued)



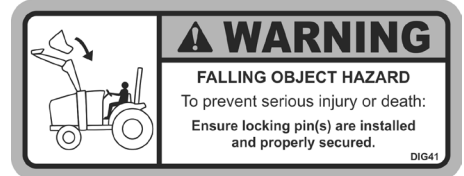
PART NO. 9875
Location: Brush guard, top



PART NO. DIG43
Location: Brush guard, top



PART NO. DIG42
Location: Brush guard, top



PART NO. DIG41
Location: Brush guard, top



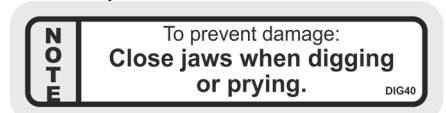
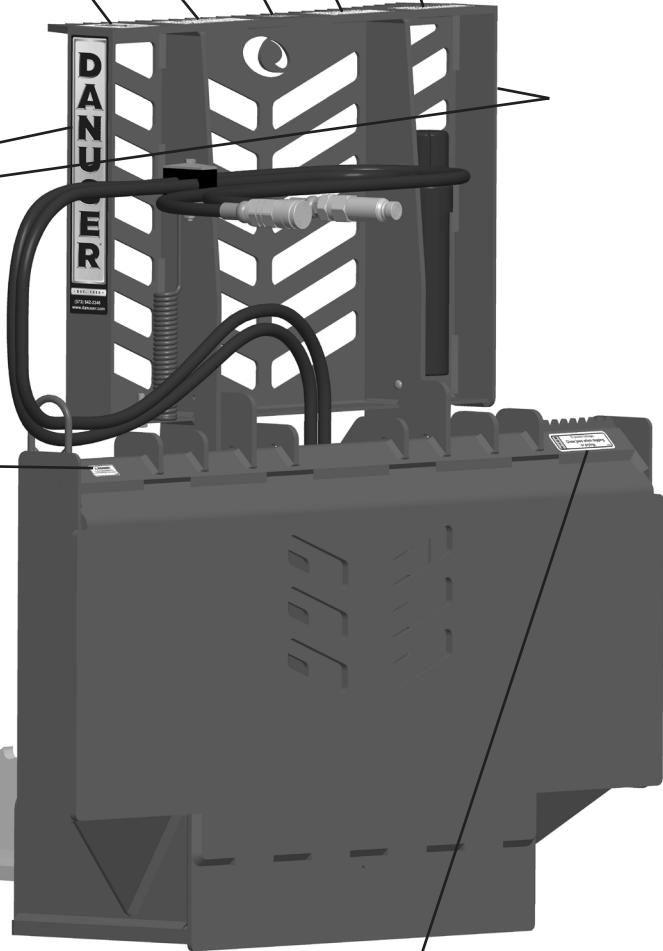
**Know what's below.
Call before you dig.**
PART NO. 20673
Location: Brush guard, top



PART NO. CA65
Location: Frame, rear



PART NO. DANUSER104
Locations: Brush guard, left side;
Brush guard, right side



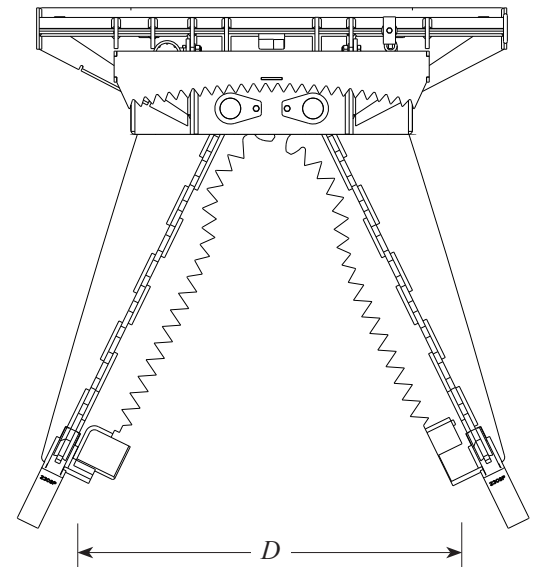
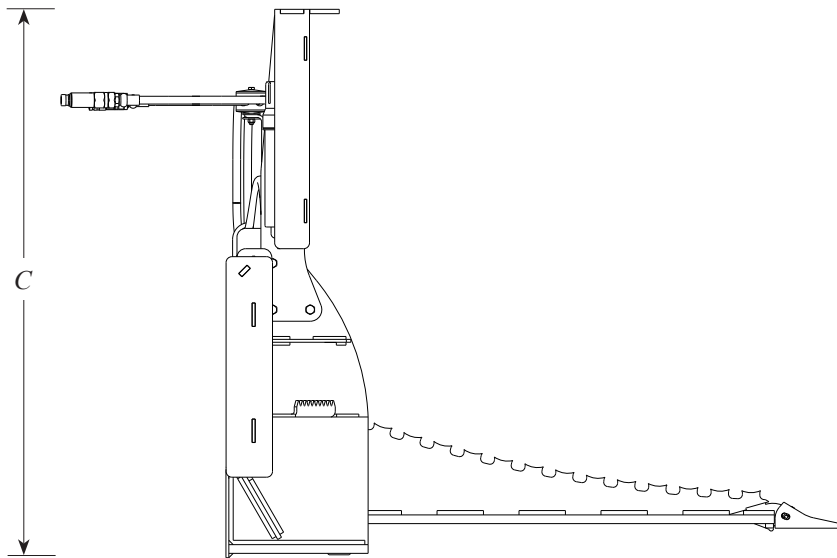
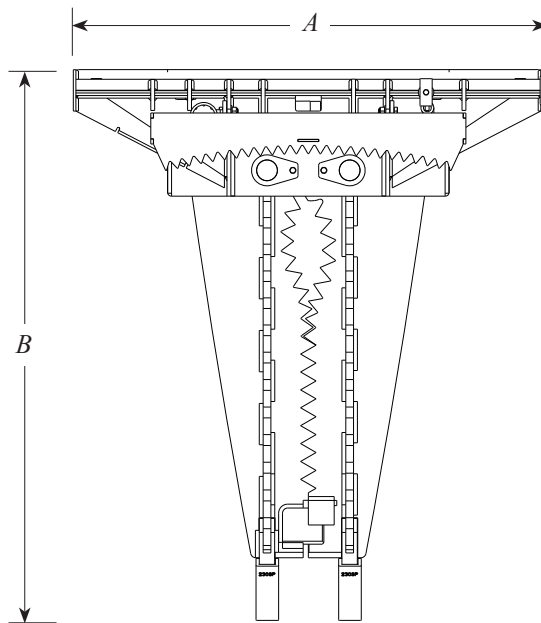
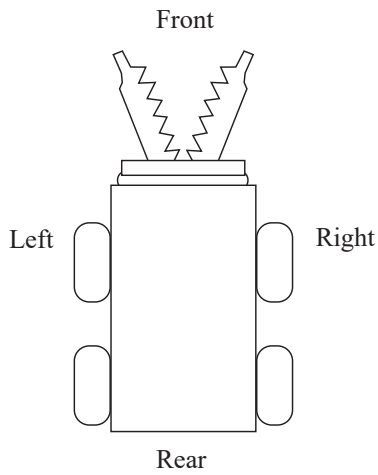
PART NO. DIG40
Location: Frame, rear

WARNING

Clean or replace all safety signs if they cannot be clearly read and understood.

Specifications

Operator's Manual
Direction Terminology



Intimidator	Skid-Steer	Euro/Global	Flat Back
Overall Width (A)	45.50"	45.50"	46.75"
Overall Length (B)	53.75"	56.75"	54.25"
Overall Height (C)	47.25"	47.25"	47.25"
Maximum Jaw Opening (D)	34"	34"	34"
Weight	630 lbs.	643 lbs.	776 lbs.
Cylinder Size	3" bore x 6" stroke	3" bore x 6" stroke	3" bore x 6" stroke
Maximum Continuous Operating Pressure	3000 PSI	3000 PSI	3000 PSI
Hitch	Skid-Steer Quick Attach	Euro/Global Quick Attach	Customizable

Hydraulic Requirements

Filtration Requirements:

- A filter of, at least, 10 micron filtration is required.

NOTE

The life of the hydraulic componentry is almost entirely dependent upon cleanliness of the oil. Instructions in your vehicle operator's manual regarding filter and oil changes should be carefully followed. Even small amounts of dirt in the hydraulic oil can cause premature hydraulic componentry failure that is not covered by warranty.

Pressure and Flow Requirements:

- The Intimidator is designed to operate up to 3000 PSI.

Hydraulic Fluid Selection Requirements:

- Premium grade petroleum based fluids will provide the best performance.
- Fluids that contain anti-wear agents, rust inhibitors, anti-foaming agents, and oxidation inhibitors are recommended.
- The viscosity of the fluid should never fall below 70 SUS (13 cST). The best viscosity range for the Intimidator is 100-200 SUS (20-43 cST).

Assembly & Installation

⚠️ WARNING

Personal protection equipment including hard hat, safety glasses, safety shoes, gloves, and ear plugs are recommended during assembly, installation, operation, maintenance, service, removal, or movement of the attachment.

⚠️ CAUTION

Always use two people to handle heavy, unwieldy components during assembly, installation, maintenance, service, removal, or movement of the attachment.

Prepare the Vehicle

Read and understand the manual for your vehicle before assembling or installing the Intimidator. The vehicle must be equipped with either a skid-steer quick attach hitch, Euro/Global quick attach hitch, or a hitch to which the Flat Back Intimidator has been customized, auxiliary hydraulics, a Roll-Over Protective Structure (ROPS), and an operator enclosure. The use of the Intimidator may require the addition of counterweights to ensure the combined weight of the attachment and load does not exceed the rated capacity of your vehicle.

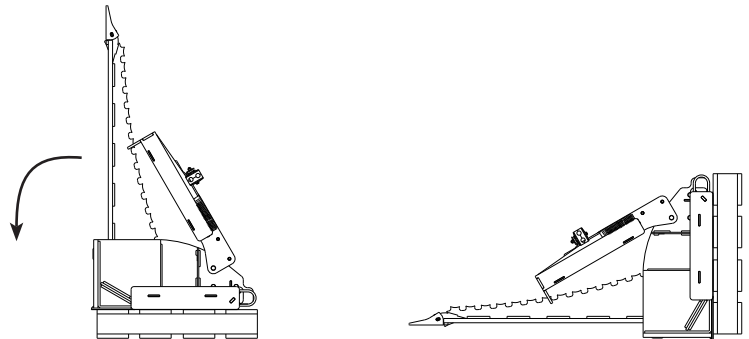
NOTE

For the Flat Back Intimidator, consideration must be given to the customized mounting setup. The vehicle mount must be constructed with sufficient strength to safely handle the loads generated during the operation of the Intimidator. Make sure to position the Intimidator to allow space for hydraulic hose connections and routing of the hoses.

Recommended Tools

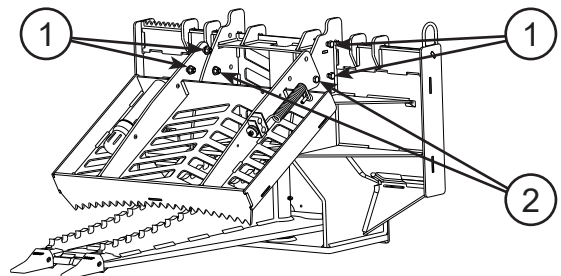
- 3/4" wrench (2)
- 1/2" wrench (2)
- Torque wrench
- Metal band cutter
- Grease gun

STEP 1: The Intimidator is shipped in a vertical position on a pallet as illustrated below. Lower the Intimidator to a horizontal position on a flat, level surface.

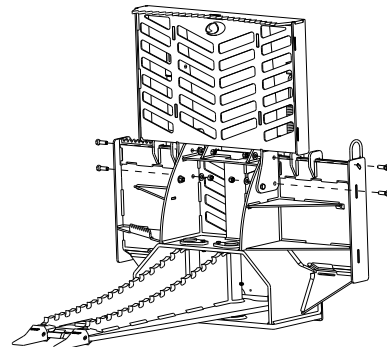


STEP 2: Using a band cutter, remove the banding from the attachment. Remove the pallet.

STEP 3: Pull hoses out from between the brush guard and the frame. Using two 3/4" wrenches, remove the four 1/2" bolts (1), and loosen the two 1/2" bolts (2).



STEP 4: Rotate the brush guard into the vertical position, and secure with bolts and nuts from STEP 3. Torque nuts to 76 ft.-lbs.



STEP 5: Route the hose couplers and hoses through the welded hose routing guide.

NOTE

Euro/Global models do not have welded hose routing guide; skip to STEP 6.

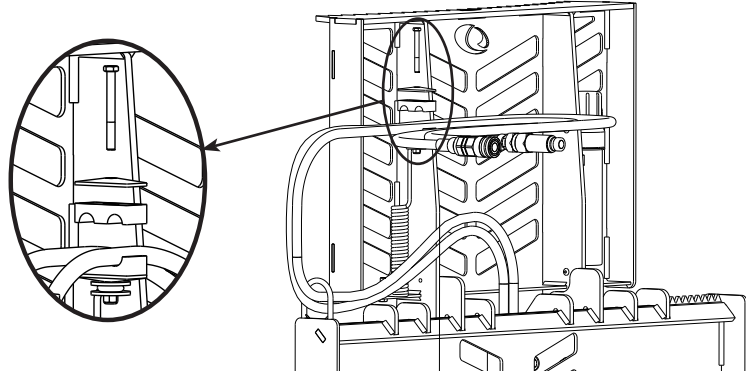
Assembly & Installation

(continued)

⚠ WARNING

Keep hands, feet, hair, jewelry, and clothing away from all moving parts.

STEP 6: Using two 1/2" wrenches, loosen the hose clamp assembly. Route the hydraulic hoses through the clamp assembly, and reattach the hardware. Torque nut to 17 ft.-lbs. Place the hoses and couplers over the brush guard to avoid trapping them between the attachment and the vehicle.



STEP 7: Grease the zerk located on each jaw.

STEP 8: Park the vehicle on level ground, and install the Intimidator by following your vehicle operator's manual for installing an attachment.

⚠ WARNING

The Intimidator must be securely latched to the vehicle. Ensure both locking pins are fully seated. An improperly latched Intimidator can fall without warning.

STEP 9: Connect the hydraulic hoses to the vehicle's auxiliary hydraulic outlets. Test the vehicle to make sure you have enough hose length to perform the full range of the loader arms' operating heights.

⚠ WARNING

Before connecting or disconnecting hydraulic lines or fittings, be sure to relieve all pressure by cycling all hydraulic controls after shutdown. Remember hydraulic systems are under pressure whenever the engine is running and may hold pressure after shutdown.

NOTE Ensure quick couplers are clean prior to connection.

NOTE Hose routing is the responsibility of the operator. Pinched and/or stretched hoses are not covered under the warranty.

STEP 10: Engage the auxiliary hydraulics to make sure the jaws of the Intimidator open and close freely.

STEP 11: Check the hydraulic system for leaks.

⚠ WARNING

Never check pressurized system for leaks with your bare hand. Wear proper hand and eye protection and use wood or cardboard when searching for suspected leaks. Oil escaping from pinhole leaks under pressure can penetrate skin and create a serious medical emergency. If any fluid is injected into the skin, gangrene, blood poisoning, even death may result. Obtain medical attention immediately.

Operation

DANGER

The Intimidator is designed to be operated from the vehicle seat. Do not operate with another person near or in contact with any part of the Intimidator. Keep others 100 ft (30.5 m) or more away from the Intimidator.

WARNING

Personal protection equipment including hard hat, safety glasses, safety shoes, gloves, and ear plugs are recommended during assembly, installation, operation, maintenance, service, removal, or movement of the attachment.

WARNING

Safe operation of equipment requires the operator's full attention. Avoid distractions such as radio headphones, cell phones, etc. while operating.

DANGER

Be aware of a falling tree or limb hazard. A tree that has lost part of its root structure or limbs can fall at any time.

DANGER

Do not use the Intimidator as a work platform.

DANGER

Do not allow riders on the equipment at any time. There is no safe place for any riders.

DANGER

Contact with underground gas lines or electrical cables may result in serious injury or death from explosion or electrical shock. Before operating, call 811 or the local number to locate underground utilities. Do not dig near underground utility lines.

DANGER

Stay away from power lines when transporting, raising, or operating the attachment. Electrocution can occur without direct contact.

DANGER

Operate the attachment only with a vehicle equipped with a Roll-Over Protective Structure (ROPS). The vehicle must be equipped with an operator enclosure that will provide a safe operating area.

WARNING

Before you operate the attachment, check over pins and connections to be sure all are securely in place. Make sure the Intimidator is securely latched to the vehicle. Make sure the brush guard is properly installed.

STEP 1: Remove any obstructions preventing safe access to the post, tree, etc. ("item") being removed.

NOTE

The maximum size of tree that can be removed will vary depending upon the soil conditions, size and species of tree, and the size of the vehicle.

STEP 2: Lower the Intimidator close to the ground, and tilt the jaws slightly downward.

STEP 3: Activate the auxiliary hydraulics to open the jaws. Drive slowly forward until the item is between the jaws. Do not use the Intimidator to grasp items that you do not want marred from contact with the jaws.

DANGER

Never place any part of your body between the jaws of the attachment. Such moving parts can crush or sever, resulting in serious injury or death.

WARNING

Be aware of tree limbs and other debris entering the operating area of the vehicle.

STEP 4: Activate the auxiliary hydraulics to close the jaws, securing the item.

STEP 5: Raise the Intimidator slowly, using the vehicle loader arms to remove the item from the ground. If additional force is needed, slowly drive the vehicle forward while pulling.

(continued)

WARNING

Reduce pulling force once the item starts to loosen from the ground. Large items that require high pulling force can cause the vehicle to become unstable if the item suddenly breaks loose or the jaws slip.

WARNING

Do not exceed the vehicle's rated operating load. If necessary, use sufficient counterweights.

STEP 6: If unable to pull the item, open the jaws, back away, and fully close the jaws. Use the bucket teeth located on the front of the jaws to excavate around the item, digging under any roots holding the item.

NOTE

Ensure the jaws are closed prior to digging or prying. Failure to do so can damage the Intimidator. Such failure and resulting damages are not covered under warranty.

STEP 7: Once the item is loosened, open the jaws and repeat the process to pull the item.

STEP 8: Intimidators equipped with side-saw-teeth jaws may cut items in addition to pulling them. The teeth are bi-directional and will cut while driving the vehicle either in forward or reverse. If sawing is preferred over pulling, fully close the jaws and position the vehicle such that the Intimidator side-saw-teeth come in contact with the item to be cut off, near the front of the jaws.

STEP 9: Ensure the jaws are parallel to the ground, then slowly drive the vehicle forward. A single pass can remove up to 6" of material. In order to cut an item larger than 6" in diameter, repeat STEP 8 on the opposite side of the item. Take care to saw such that the cut item will fall away from the vehicle.

STEP 10: Slowly transport the item to the desired location with the jaws tilted slightly downward, carrying the load at the minimum height required for transport.

DANGER

For operator safety, always keep the load in front of the vehicle. Load should never be tilted toward or positioned over the operator.

WARNING

Carry the load low. A heavy load can cause instability of the vehicle. Use extreme care during travel. Slow down on turns and watch out for bumps. Use all safety devices, including a seat belt, as recommended in the vehicle operator's manual.

Removal & Storage

DANGER

Never allow anyone under the attachment at any time.

WARNING

Personal protection equipment including hard hat, safety glasses, safety shoes, gloves, and ear plugs are recommended during assembly, installation, operation, maintenance, service, removal, or movement of the attachment.

CAUTION

Always use two people to handle heavy, unwieldy components during assembly, installation, maintenance, service, removal, or movement of the attachment.

Troubleshooting

Before storage, the Intimidator should be thoroughly cleaned, washing off all dirt and grime. Make sure the hydraulic system is properly sealed against contaminants entering the unit. Always store the Intimidator in a dry, covered location.

STEP 1: Lower the Intimidator onto a flat, level surface in an area where children do not play.

STEP 2: Disconnect the hydraulic hoses from the vehicle's auxiliary hydraulics.

WARNING

Before disconnecting hydraulic lines or fittings, be sure to relieve all pressure by cycling all hydraulic controls after shutdown. Remember hydraulic systems are under pressure whenever the engine is running and may hold pressure after shutdown.

NOTE

Connect the quick couplers together to prevent contaminants from entering the Intimidator's hydraulic system.

STEP 3: Follow your vehicle operator's manual for removing an attachment. Securely block and support the attachment.

STEP 4: Tighten any loose nuts, bolts, and hydraulic components.

STEP 5: Replace any damaged or missing safety signs.

STEP 6: Lubricate the grease zerks and coat the exposed portion of the cylinder rod with grease to prevent rust.

Problem	Possible Cause	Solution
Jaws do not open and close	Air in hydraulic system	Cycle hydraulics until cylinder has completely extended and retracted (full cycle)
	Hydraulic hose pinched or obstructed	Fix pinched hose or remove obstruction
	Leaking or failed hydraulic hose	Replace hydraulic hose
	Quick couplers did not engage	Check quick coupler connections to vehicle
	Vehicle auxiliary hydraulics not engaged	Engage auxiliary hydraulics
	Vehicle low on hydraulic oil	Add hydraulic oil to vehicle
	Cylinder damaged	Contact Danuser
Jaw obstructed	Ensure jaws can move freely	
Jaws do not fully close	Interlocking portion of jaws packed with debris	Remove debris
	Bent or damaged jaw	Contact Danuser
Difficulty pulling tree	Tree has a well developed root system	Some species of trees are stronger than others and won't pull as easy. Use the jaws to excavate around the tree.
	Soil is very dry and hard	Soak the area around the tree with water, or pull the tree after a rain.

For additional assistance, please call your dealer or contact Danuser direct:

Tel: (573) 642-2246

Fax: (573) 642-2240

E-mail: sales@danuser.com

Maintenance & Lubrication

Proper servicing and maintenance are key to the long life of any attachment. Careful inspection and routine maintenance helps avoid costly downtime and repair. Do not use the Intimidator with any damaged parts.

⚠️ DANGER

Never allow anyone under the attachment at any time.

⚠️ WARNING

Personal protection equipment including hard hat, safety glasses, safety shoes, gloves, and ear plugs are recommended during assembly, installation, operation, maintenance, service, removal, or movement of the attachment.

⚠️ WARNING

Never check pressurized system for leaks with your bare hand. Wear proper hand and eye protection and use wood or cardboard when searching for suspected leaks. Oil escaping from pinhole leaks under pressure can penetrate skin and create a serious medical emergency. If any fluid is injected into the skin, gangrene, blood poisoning, even death may result. Obtain medical attention immediately.

⚠️ WARNING

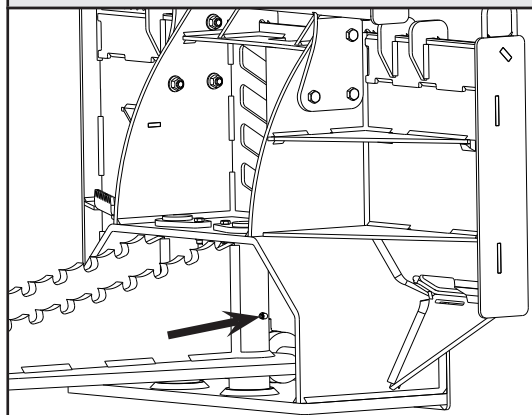
Do not modify the attachment. Modifications may weaken the integrity of the attachment and may impair the safety, function, life, and performance of the Intimidator.

⚠️ CAUTION

When making repairs or servicing the Intimidator, use only parts that meet original equipment manufacturer's standards and requirements.

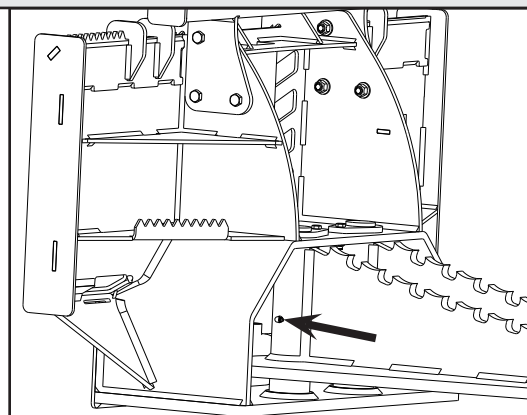
Maintenance	Interval
Inspect the attachment for any damage, worn parts, or cracked welds. Repair or replace as necessary.	Before each use
Check for damaged or missing safety signs. Replace as necessary.	Before each use
Check all fasteners. Ensure they are tight and secure. (See Torque Values Chart.) Replace as necessary.	Daily
Check all hydraulic components for leaks or wear. Repair or replace as necessary.	Daily

Lubrication Points



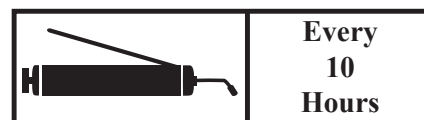
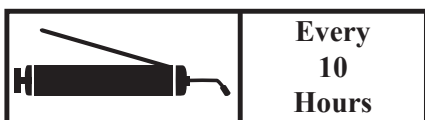
Left Jaw Pivot Point - 1 Zerk

Add multi-purpose grease until grease emerges









Right Jaw Pivot Point - 1 Zerk

Add multi-purpose grease until grease emerges



Torque Values Chart

Torque Values Chart													
Bolt Size (inches)	Bolt Head Identification						Bolt Size (Metric)	Bolt Head Identification					
	 Grade 2		 Grade 5		 Grade 8			 Class 5.8		 Class 8.8		 Class 10.9	
in-tpi	Nm	ft.-lbs.	Nm	ft.-lbs.	Nm	ft.-lbs.	mm x pitch	Nm	ft.-lbs.	Nm	ft.-lbs.	Nm	ft.-lbs.
1/4"-20	7.4	5.6	11	8	16	12	M5 x 0.8	4	3	6	5	9	7
1/4"-28	8.5	6	13	10	18	14	M6 x 1	7	5	11	8	15	11
5/16"-18	15	11	24	17	33	25	M8 x 1.25	17	12	26	19	36	27
5/16"-24	17	13	26	19	37	27	M8 x 1	18	13	28	21	39	29
3/8"-16	27	20	42	31	59	44	M10 x 1.5	33	24	52	39	72	53
3/8"-24	31	22	47	35	67	49	M10 x 0.75	39	29	61	45	85	62
7/16"-14	43	32	67	49	95	70	M12 x 1.75	58	42	91	67	125	93
7/16"-20	49	36	75	55	105	78	M12 x 1.5	60	44	95	70	130	97
1/2"-13	66	49	105	76	145	105	M12 x 1	90	66	105	77	145	105
1/2"-20	75	55	115	85	165	120	M14 x 2	92	68	145	105	200	150
9/16"-12	95	70	150	110	210	155	M14 x 1.5	99	73	155	115	215	160
9/16"-18	105	79	165	120	235	170	M16 x 2	145	105	225	165	315	230
5/8"-11	130	97	205	150	285	210	M16 x 1.5	155	115	240	180	335	245
5/8"-18	150	110	230	170	325	240	M18 x 2.5	195	145	310	230	405	300
3/4"-10	235	170	360	265	510	375	M18 x 1.5	220	165	350	260	485	355
3/4"-16	260	190	405	295	570	420	M20 x 2.5	280	205	440	325	610	450
7/8"-9	225	165	585	430	820	605	M20 x 1.5	310	230	650	480	900	665
7/8"-14	250	185	640	475	905	670	M24 x 3	480	355	760	560	1050	780
1"-8	340	250	875	645	1230	910	M24 x 2	525	390	830	610	1150	845
1"-12	370	275	955	705	1350	995	M30 x 3.5	960	705	1510	1120	2100	1550
1-1/8"-7	480	355	1080	795	1750	1290	M30 x 2	1060	785	1680	1240	2320	1710
1-1/8"-12	540	395	1210	890	1960	1440	M36 x 3.5	1730	1270	2650	1950	3660	2700
1-1/4"-7	680	500	1520	1120	2460	1820	M36 x 2	1880	1380	2960	2190	4100	3220
1-1/4"-12	750	555	1680	1240	2730	2010	<p align="center">KEY:</p> <p>in-tpi = nominal thread diameter in inches-threads per inch Nm = Newton-meter ft.-lbs. = foot pounds mm x pitch = nominal thread diameter in millimeters by thread pitch</p>						
1-3/8"-6	890	655	1990	1470	3230	2380							
1-3/8"-12	1010	745	2270	1670	3680	2710							
1-1/2"-6	1180	870	2640	1950	4290	3160							
1-1/2"-12	1330	980	2970	2190	4820	3560							

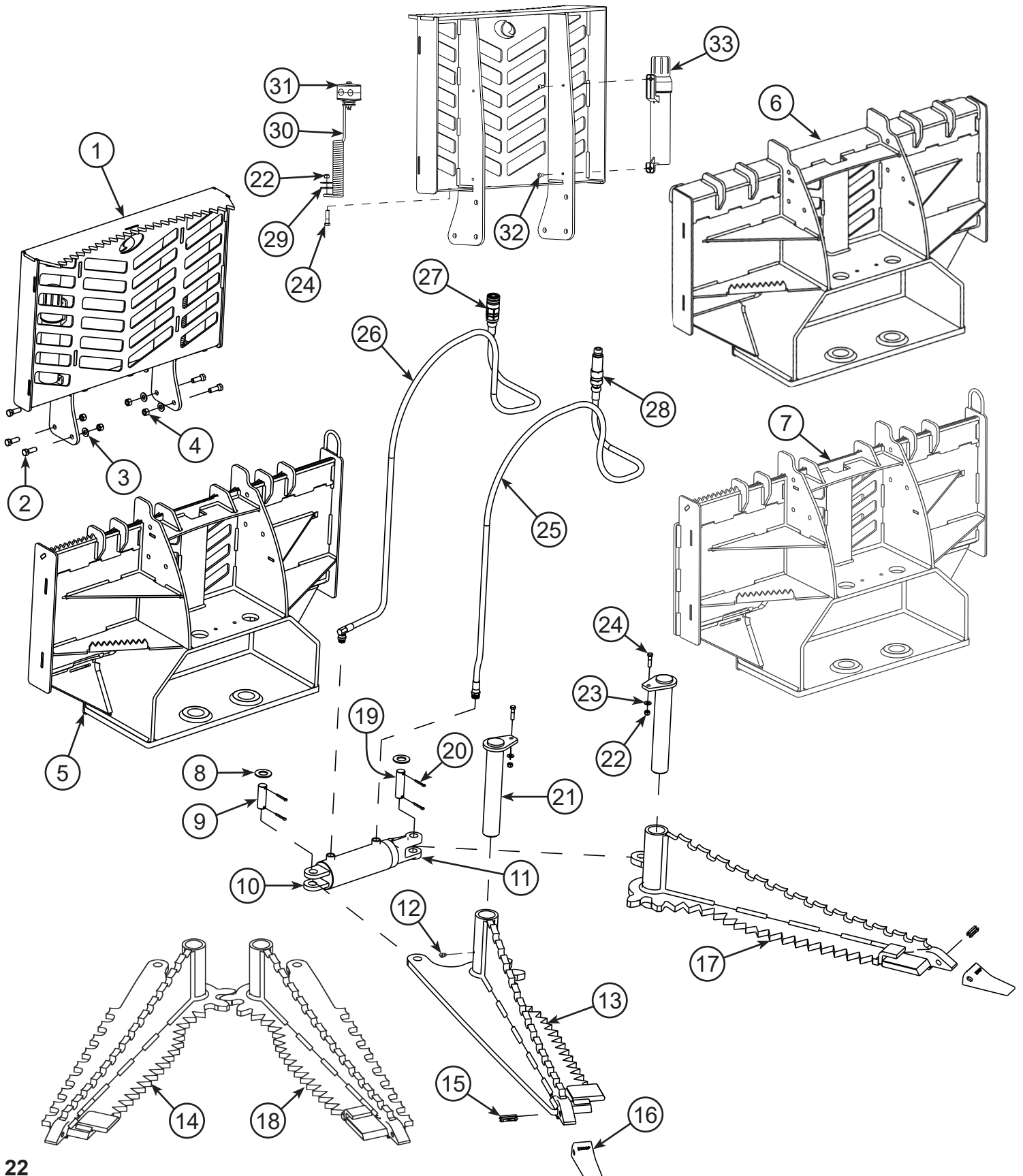
Torque tolerance +0%, -15% of torque values. Unless otherwise specified, use torque values listed above.

Parts

⚠️ WARNING

This product can expose you to chemicals known to the State of California to cause cancer and birth defects or other reproductive harm. For more information go to www.P65Warnings.ca.gov/product.

(Rear View of Brush Guard)



Parts

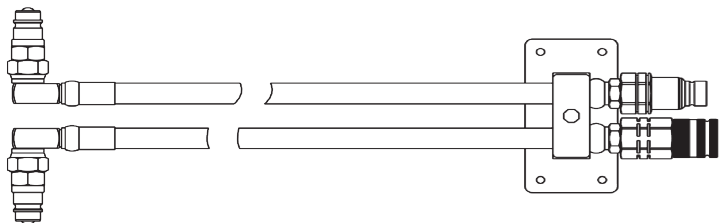
(continued)

REF. NO.	PART NO.	DESCRIPTION	QTY.
1	12236	Euro/Flat Back Brush Guard Assembly (Includes REF. NOS. 32-33)	1
	12236S	Skid-Steer Brush Guard Assembly (Includes REF. NOS. 32-33)	1
2	12245	Hex Cap Screw (1/2"-13 x 1-1/2", Gr. 5)	6
3	21156	1/2" Flat Washer	6
4	10125	Toplock Nut (1/2"-13)	6
5	180010	Skid-Steer Frame Assembly	1
6	12261	Euro/Global Frame Assembly	1
7	12268	Flat Back Frame Assembly	1
8	1132	1" Flat Washer	2
9	190125	Clevis Pin	1
10	12241	Hydraulic Cylinder (Includes REF. NO. 11)	1
11	172910	Cylinder End Clevis (Includes Bolt & Nut)	1
	172955	Seal Kit - Intimidator Cylinder (Not Shown)	
12	2355	Grease Fitting	2
13	12230	Right Jaw Assembly	1
14	12230T	Right Jaw Assembly, Exterior Saw Teeth	1
15	12249	Flex Pin	2
16	12248	Excavator Bucket Tooth	2
17	12224	Left Jaw Assembly	1
18	12224T	Left Jaw Assembly, Exterior Saw Teeth	1
19	190121	Clevis Pin	1
20	196017	Cotter Pin (1/4" x 1-1/2")	4
21	12233	Pin Assembly	2
22	10412	Toplock Nut (3/8"-16)	3
23	2178	3/8" Flat Washer	2
24	12246	Hex Cap Screw (3/8"-16 x 1-1/2", Gr. 5)	3
25	12257	Rod End Hydraulic Hose Assembly	1
26	12258	Base End Hydraulic Hose Assembly	1
27	10049	Female Coupler	1
28	12108	Male Coupler	1
29	12259	3/8" Fender Washer	2
30	12247	Hydraulic Hose Spring	1
31	12251	Hydraulic Hose Clamp Kit	1
32	21259	Drive Rivet	2
33	21258	Operator's Manual Canister	1

Accessories

Front-End Loader Hose Kit

PN 21231 - 1/2" hose kit, 25' long, with flat face ISO couplers and pioneer couplers. Mounting bracket included for bolting or welding. Hardware not included.



Warranty

DANUSER

Model # _____

Serial # _____

LIMITED WARRANTY

Danuser LLC ("Danuser") warrants its products, under normal use and maintenance, to be free from defects in material and workmanship for period(s) specified below from the purchase date from an authorized Danuser Dealer. Start of the warranty period is determined by purchase date given on your returned WARRANTY REGISTRATION FORM. Proof of purchase may be required. This Limited Warranty is extended only to the original purchaser of Danuser products.

Intimidator - 1 Year

Wear Items Not Covered Under Warranty - Hydraulic Hoses, Seals, and Teeth

1. During the applicable warranty period, Danuser, at its option, will repair or replace any part determined by Danuser to be defective. Such repair or replacement shall take place at Danuser's factory or a location designated by Danuser. Under no circumstances shall Danuser be obligated for the cost of any repair or replacement by anyone other than Danuser without its express written consent.
2. Parts may not be returned without written authorization from Danuser.
3. Some purchased components, including but not limited to hydraulic components, are subject to the inspection and warranty of the respective manufacturer. Thus, delays in a warranty determination can be expected while Danuser awaits their decision.
4. This warranty is void if any attempt is made to make field repairs to hydraulic components. To qualify for warranty inspection, the "failed" part(s) must be returned in its original "failed" condition.
5. To make a claim under this warranty, first contact your authorized Danuser Dealer. The Danuser Dealer shall complete the Warranty Claim Form and obtain written authorization from Danuser to return parts. All warranty claims must include detailed information regarding make and model of vehicle on which the Danuser product was mounted, hours of use, description of events that led up to the failure, and any other information helpful in reviewing the warranty claim. All warranty returns must be prepaid. Shipments arriving at our factory on a freight collect basis will be refused by our receiving department. The freight charge will be credited if the parts are determined by Danuser to be defective, and the associated freight costs in returning those parts will be prepaid by Danuser. **NOTE:** Hydraulic components must arrive with all ports sealed from dirt and moisture. If a hydraulic component arrives with open ports, the warranty is void and no inspection will be made.
6. Products or parts thereof which, as determined by Danuser's examination, show wear from normal use, have been improperly operated, damaged by accident or negligence, field repaired, altered or modified are not considered defective in material and workmanship and are not covered by this warranty. This warranty does not apply to parts subject to normal wear ("Wear Items") or to damage caused by the failure to perform recommended maintenance or to replace worn parts. This warranty shall not obligate Danuser to bear any cost of labor for field repair, replacement, testing, or adjustment nor for damage caused by accident, abuse, misuse, or environmental elements.
7. Any parts or labor required to repair or replace parts not covered under this warranty will be charged to the customer. Parts repaired or replaced by Danuser are then covered by this warranty only for the remainder of the original warranty as if such parts were original parts.
8. Danuser reserves the right to change its specifications and designs at any time.

This warranty is exclusive and in lieu of all other express warranties, if any, including the implied warranties of merchantability and fitness for a particular purpose. It shall not extend beyond the duration of the expressed warranty provided herein and the remedy for violations of any implied warranty shall be limited to repair or replacement of the defective part pursuant to the terms contained herein. No employee, dealer, salesman, or representative is authorized to change this warranty in any way or grant any other warranty. Danuser shall not be liable for any consequential, incidental, or punitive damages, losses, or expenses, including those resulting from or caused by any defects.

Danuser LLC
500 E. 3rd St.
P.O. Box 368
Fulton, MO 65251

Tel: (573) 642-2246
Fax: (573) 642-2240
E-mail: sales@danuser.com
Website: www.danuser.com